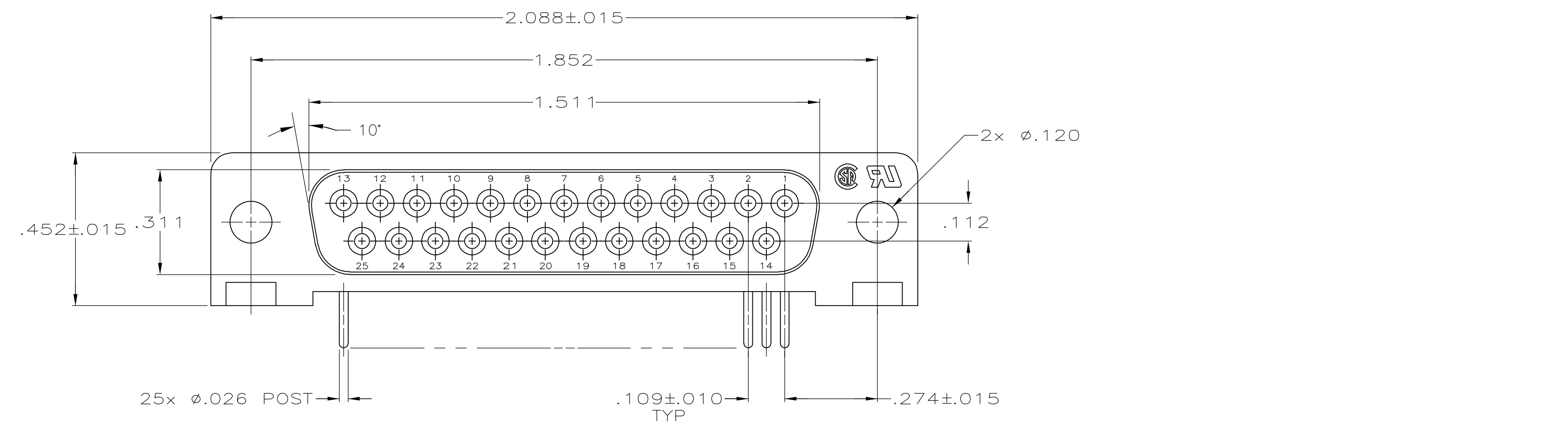
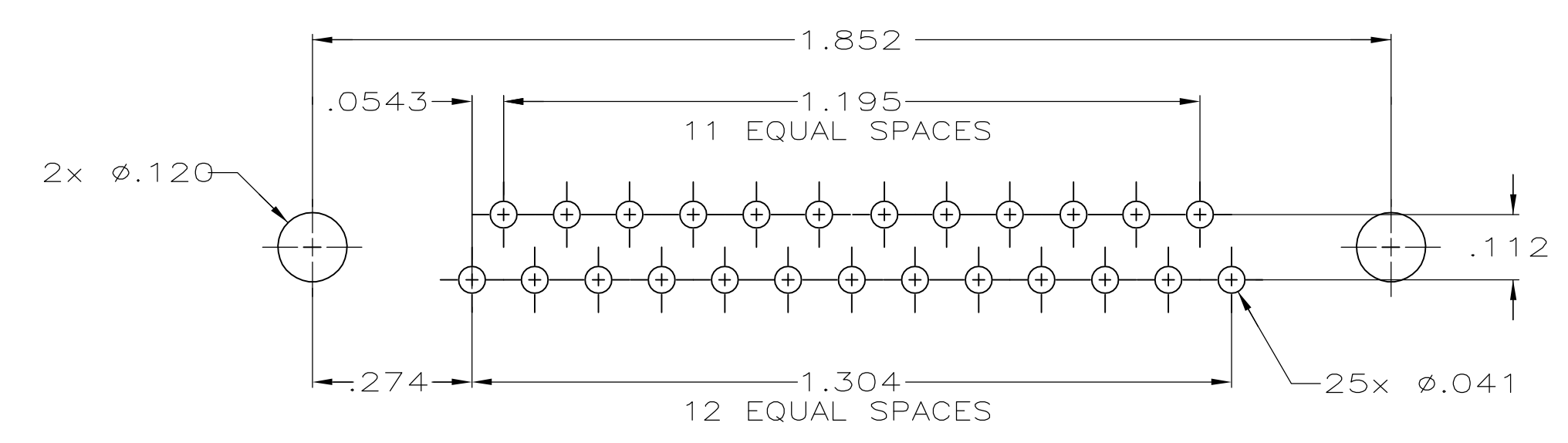
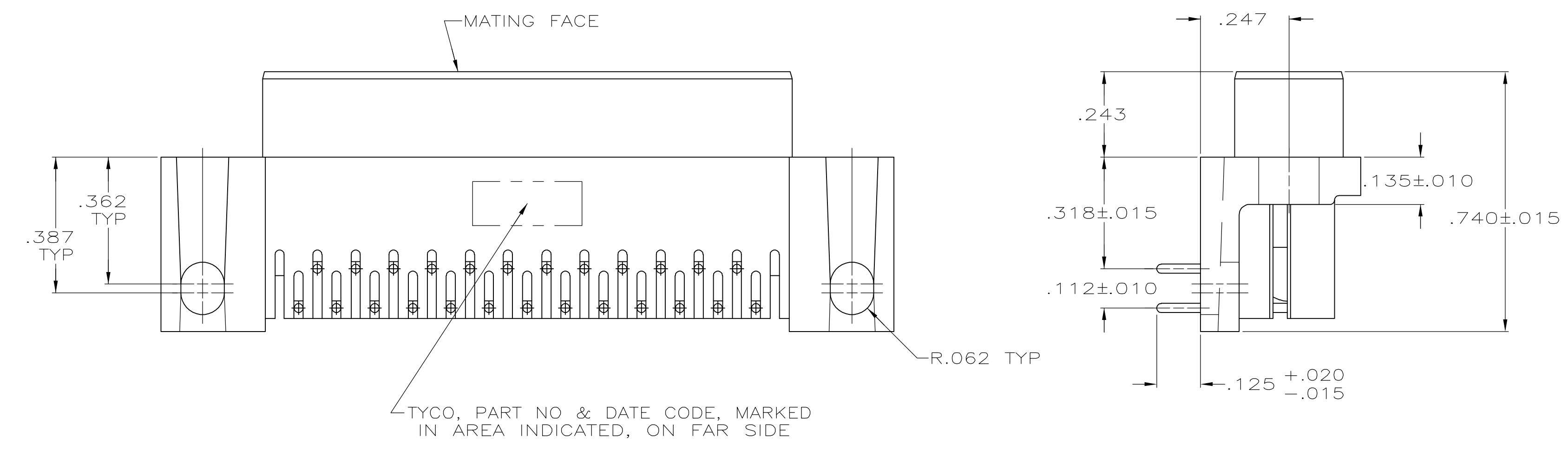


LOC		DIST		REVISIONS			
REV	DATE	DESCRIPTION	DATE	DWN	APPD		
0		RELEASED PER EC 0813-0087-05	14SEP05	GP	JG		



- 1 HOUSING: FLAME RETARDANT, 94V-0 RATED, GLASS FILLED NYLON OR POLYESTER, COLOR: BLACK.  
CONTACTS: PHOS. BRONZE
- 2 REFER TO APPLICATION SPEC FOR RECOMMENDED P.C. BOARD MOUNTING DIMENSIONS FOR AUTOMATIC INSERTION.
- 3 CONTACTS: PLATED WITH .000030 MIN GOLD FOR LENGTH OF .055 MIN FROM MATING END, .000100 MIN TIN ON SOLDER END, ALL OVER .000050 MIN NICKEL ON ENTIRE CONTACT.



RECOMMENDED P.C. BOARD MOUNTING DIMENSIONS 2

**COPYRIGHT 2005  
 TYCO ELECTRONICS CORP  
 ALL RIGHTS RESERVED**

5745132-2  
 PART NUMBER

THIS DRAWING IS A CONTROLLED DOCUMENT.		DWN G. PETERS 14SEP05	14SEP05	Tyco Electronics Corporation Harrisburg, PA 17105-3608
DIMENSIONS: INCHES		CHK S. BOLASH 14SEP05	14SEP05	
TOLERANCES UNLESS OTHERWISE SPECIFIED:		APPD M. WALMSLEY 14SEP05	14SEP05	NAME RECEPTACLE ASSY, SIZE 3, 25 POSN, RIGHT ANGLE, .318 SERIES, .026 DIA POSTS, AMPLIMITE HD-20
0 PLC ± - 1 PLC ± - 2 PLC ± - 3 PLC ± .005 4 PLC ± - ANGLES ± °		PRODUCT SPEC 108-40025	APPLICATION SPEC 114-40015	SIZE A1
MATERIAL		WEIGHT	RESTRICTED TO	SCALE 4:1
CUSTOMER DRAWING		00779	5745132	SHEET 1 OF 1